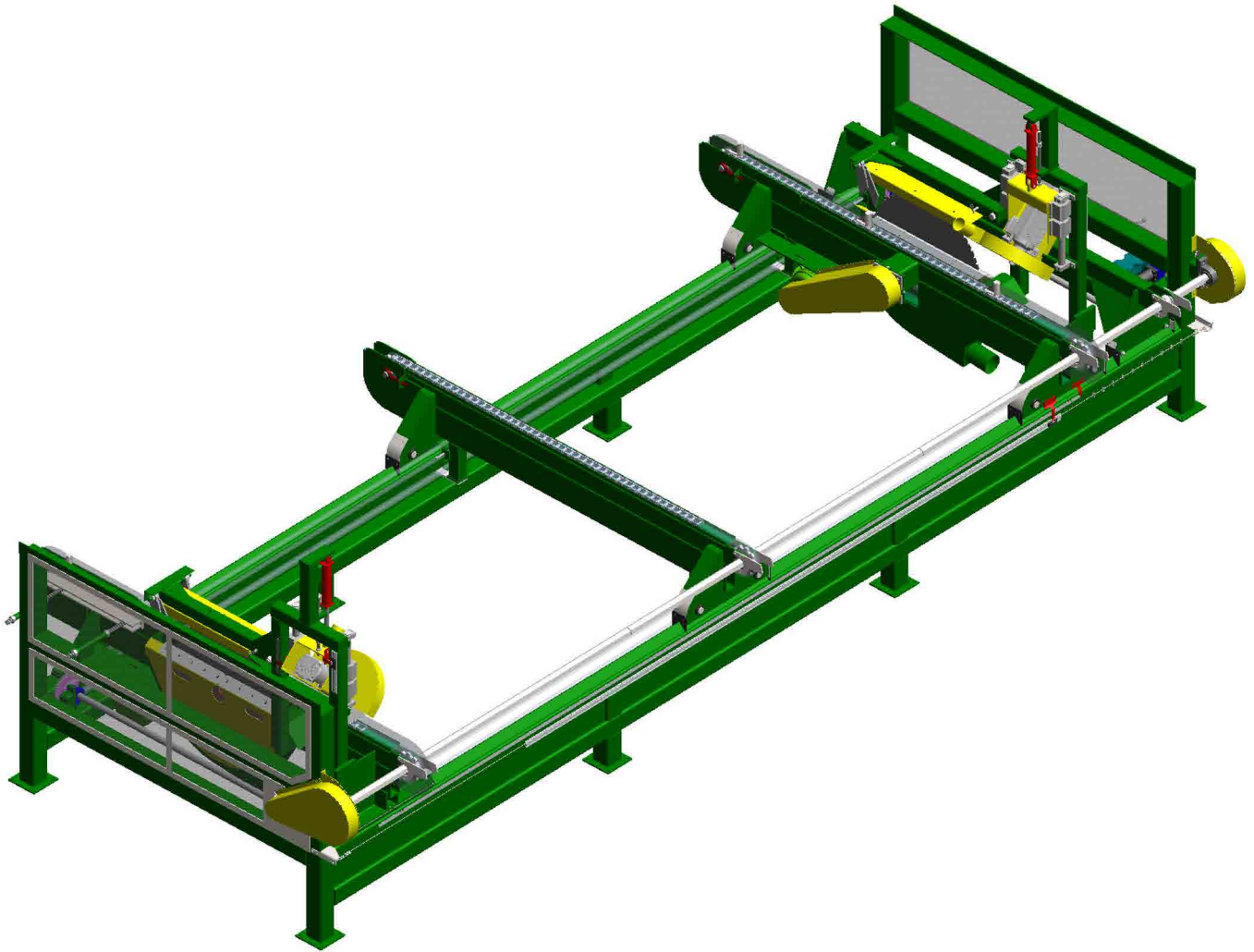




# LARGE TRIM SAW



The Pendu Large Trim Saw accurately and efficiently cuts large timber pieces to uniform lengths. The Large Trim Saw can handle material 7' - 24' long and is capable of producing 900 pieces per 8 hour shift.

## Large Trim Saw Specifications

Production:	900 pieces/8 hour shift
Material height:	Min - 6", Max - 12.5"
Material Width:	Min - 5.5", Max - 32"
Material Length:	Min - 7', Max - 24'
Saw Motors:	30 HP
Moveable Saw:	7' - 24' from fixed blade