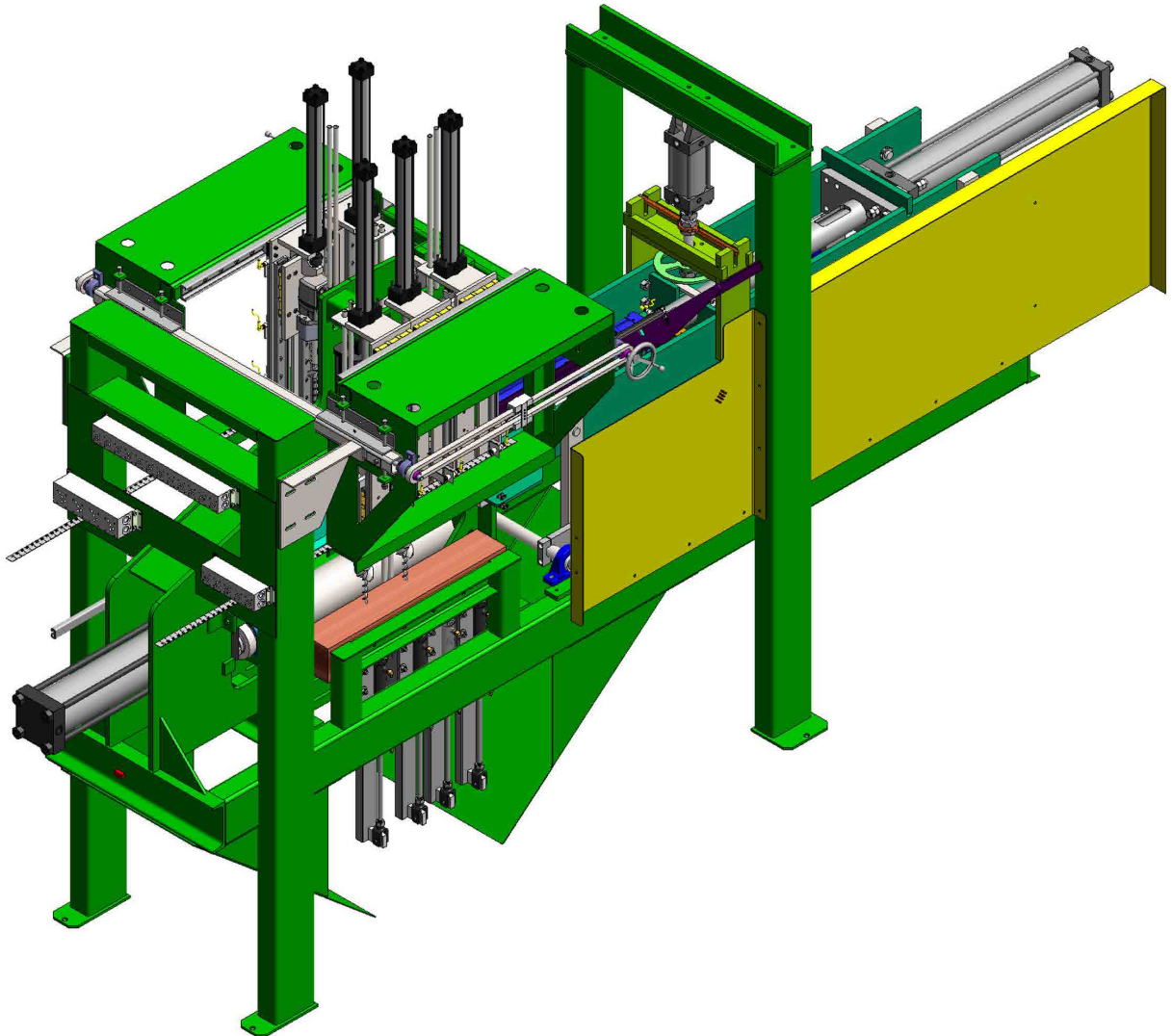




# LAMINATING & BORING MACHINE



The Pendu Crossing Panel and Ballast Deck Laminating and Boring machine efficiently laminates timbers together and bores holes with countersinks to produce crossing panels that are ready for installation. The Laminating and Boring machine can laminate 200 panels in an 8 hour shift. Total material width can range from 6" to 32". Material can be 6" to 12.5" tall and 7' to 24' long. The dowel and drill positions are controlled by computerized stops.

## Laminating & Boring Machine Specs

|                  |                                |
|------------------|--------------------------------|
| Speed:           | Up to 60 feet per minute       |
| Production:      | 27 laminates per hour          |
| Pin Stops:       | Four, hydraulically actuated   |
| Vertical Drills: | Five, individually adjustable  |
| Side Clamps:     | Clamps material 6" - 32" wide  |
| Top Clamp:       | Lamps material 6" - 12.5" tall |

718 North Shirk Road • New Holland, PA 17557 • 800-233-0471 • [www.Pendu.com](http://www.Pendu.com)